

# TWO-WAY VHF RADIO

NTW-1000

- Watertight design
- Either primary battery or secondary battery is available
- External MIC/Speaker can be attached
- Type approval with DNV (MED) and CCS



- Designed to meet GMDSS requirements related with performance standards for survival craft two-way VHF radio telephone apparatus, such as IMO MSC.515 (105), IEC 61097-12.
- Compact, lightweight and rugged construction.
- Full marine-use VHF channels can be available.



## SPECIFICATIONS

### ● TECHNICAL SPECIFICATIONS

- Frequency Range: 156.025~157.425 MHz (TX)  
156.050~162.000 MHz (RX)
- Operating Channels: 19 channels (default)
- Operating Hours:  $\geq$ 8 hours (TX10%, RX10%, Standby80%)
- Output Power: High 3.0 W / Low 0.5 W

### ● BATTERY REQUIREMENTS

- Battery Voltage: DC 9V (NBT200), DC 7.2V (NBT200C)
- Storage Life: Max 4 years on board  
(plus one year of shelf time)

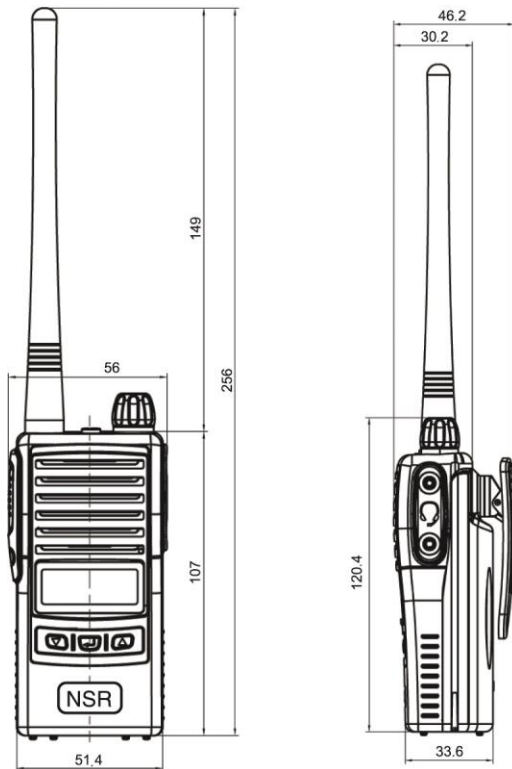
### ● STORAGE TEMP:

-40°C~+70°C

### ● SIZE & WEIGHT

- Size: 256 (H)×56 (W)×46.2 (D) mm
- Weight: 200g (Transceiver + Antenna + Emergency Battery)

## SIZE DIMENSION



## EQUIPMENT LIST

### ● STANDARD

- Transceiver & Antenna	NTW-1000	1 set
- Emergency Battery	NBT200	1 pc
- Belt Clip		1 pc
- Wrist Rope		1 pc
- Rechargeable Battery	NBT200C	1 pc
- Battery Charger	NBT200CU	1 pc
- AC/DC Adaptor	NBT200CUA	1 pc



Battery  
Emergency / Rechargeable



Wrist Rope



Belt Clip



Battery Charger



AC/DC Adaptor