

PORTABLE VHF TELEPHONE

Alpha 40s

- Marine professional walkie-talkie
- Watertight design
- With high-capacity lithium battery
- Type approval with CCS



- Use for onboard communication on VHF channels.
- Includes all ITU channels, USA channels and Private channels.
- Compact, lightweight and rugged construction.
- Watertight design for marine use.
- Conforms to the regulations of IMO MSC.1/Circ.1460/Rev.4 and IEC 60945 etc.



SPECIFICATIONS

● TECHNICAL SPECIFICATIONS

- Frequency Range: 156.000~161.450 MHz (TX)
156.000~163.425 MHz (RX)
- Operating Channels: ITU, USA, CAN channels
- Output Power: High 3 W / Low 1 W

● BATTERY REQUIREMENTS

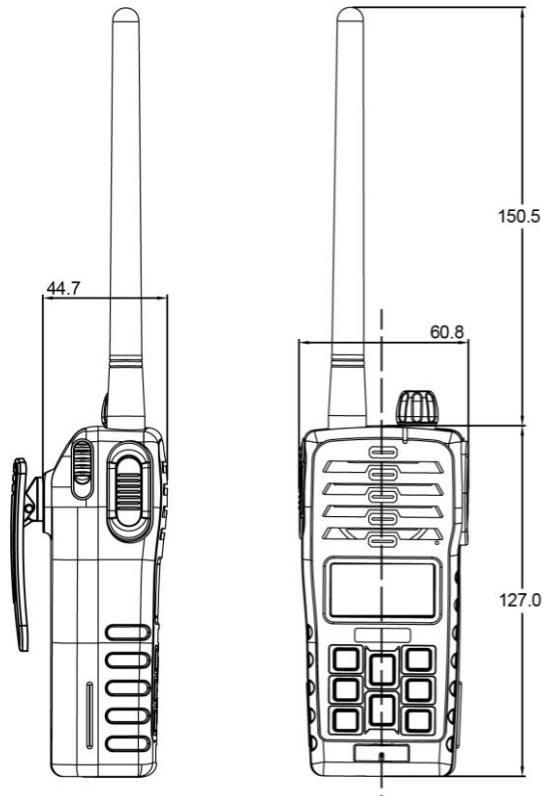
- Battery Voltage: DC 7.4 V
- Capacity: 2600 mAh

● OPERATING TEMPERATURE: -20°C~+55°C

● SIZE & WEIGHT

- Size: 277.5 (H)×60.8 (W)×44.7 (D) mm
- Weight: 300g (Transceiver + Antenna + Battery)

SIZE DIMENSION



EQUIPMENT LIST

● STANDARD

- Transceiver & Antenna	Alpha 40s	1 set
- Rechargeable Battery Pack	NBT800CN	1 pc
- Battery Charger	NBT800CU	1 pc
- AC/DC Adaptor	NBT200CUA	1 pc
- Belt Clip		1 pc
- Wrist Rope		1 pc



Rechargeable Battery Pack



Wrist Rope



Belt Clip



Battery Charger



AC/DC Adaptor

